



WhatsApp / Cell Number:  
9655509003/4/5

Email Address:  
smartbiosecuresystems@gmail.com

# AiFace- Mercury

Linux-Based

Time & Attendance with Visible Light Facial recognition



AiFace- Mercury



Proactive Facial Recognition



New Height of Anti-Spoofing



Speedy Recognition



Wide Pose Angle Acceptance



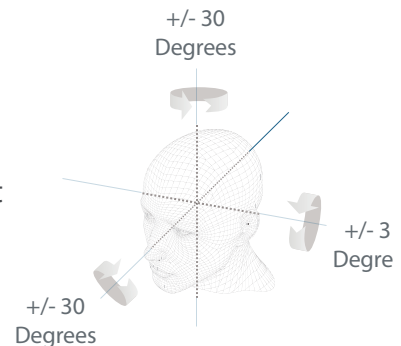
Touchless for Better Hygiene

## Features

- Visible Light Facial Recognition
- Anti-spoofing algorithm against print attack(laser, color and B/W photos), videos attack and 3D mask attack
- 2.8 inch Tocuh Screen
- Supplement lighting with adjustable brightness
- Exquisite and compact, easy to install. Support desktop and wall install
- Support Multiple Language

## Recognition distance up to 2m long and extra wide angle recognition

The recognition distance has been greatly extended up to 2 meters long, which significantly improves maximum traffic rate. While most of algorithms only support 15-degree angle, AiFace- Mercury doubles the detection angle in terms of head rotation & tilt to +/-30°



- > High Customer Satisfaction
- > Quick Trunaround
- > Cost Effectiveness
- > Quality & Reliability
- > Customer Relationship

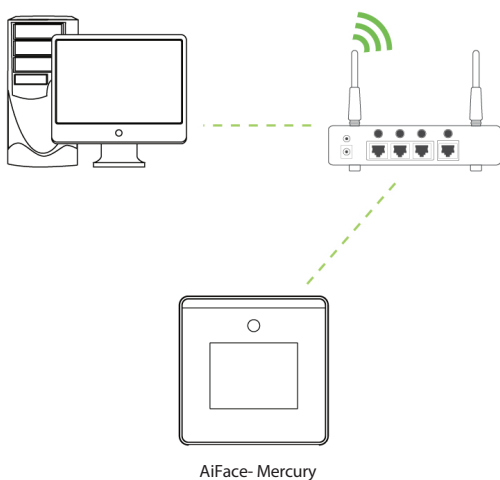


Google Customer Reviews  
★★★★★  
4.9 Out of 5

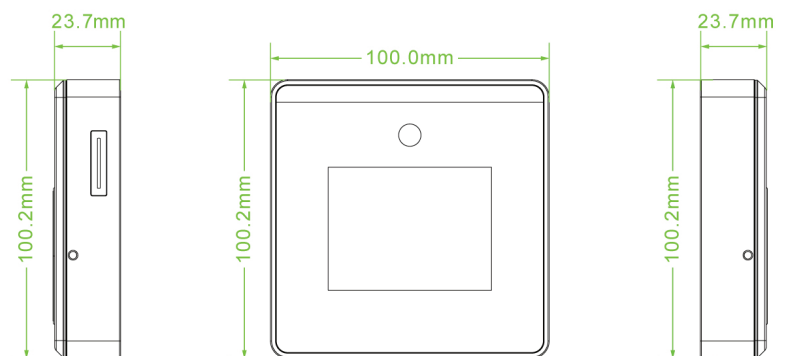
## Specifications:

|                        |  |
|------------------------|--|
| Display                | 2.8-inch Touch Screen  |
| Face Capacity          | 800  |
| User Capacity          | 800  |
| Transactions           | 150,000  |
| Operation System       | Linux  |
| Standard Functions     | ADMS, T9 Input, DST, Camera, 9-digit User ID, Work Code, Self-service Query, Schedule Bell, Automatic Status Switch  |
| Hardware               | 900MHZ Dual Core CPU<br>Memory 512MB RAM / 512 MB ROM<br>2MP WDR Low Light Camera<br>Adjustable Light Brightness LED |
| Communication          | WIFI   |
| Face Recongntion Speed | ≤1s  |
| Biometrics Algorithms  | Face VX5.8   |
| Power Supply           | 5V/2A  |
| Working Humidity       | 10%-90%  |
| Working Temperature    | -10 °C- 45 °C  |
| Dimensios (W*H*D)      | 100*100.2*23.7mm   |
| Supported Software     | eTimeTracklite   |

## Configuration:



## Dimensions(mm)



Disclaimer: Brief specifications are mentioned here. Specifications may change without prior notice. Customers are advised to check with us before purchase. Actual product may differ slightly to that depicted for ongoing product development

Visit Us at: [www.esslsecurity.com](http://www.esslsecurity.com)



**BIOMETRICS-CCTV-DOOR ACCESS CONTROL-PARKING BARRIER-BOOM BARRIER  
 FLAP BARRIER-TURNSTILES-METAL DETECTORS-ANTI THEFT-PACKAGE SCANNER  
 TEMPERATURE DETECTION-GUARD PATROL-HOME LOCK-HOTEL LOCK-SAFE LOCKER  
 TIME & ATTENDANCE-PAYROLL-BULK SMS-ID CARD-STUDENT MANAGEMENT-HRMS  
 FIRE ALARM-DESKTOP-LAPTOP-PRINTERS-NETWORKING**

# Our HAPPY Customers

[www.smartbiosecureystems.com](http://www.smartbiosecureystems.com)

9655509003 / 4 / 5



**1000+** Happy Customers  
**Dedicated Support**

Kind Regards **SMART BIOSECURE SYSTEMS**  
 MORE INTELLIGENT. MORE SECURE.

Support

Products

Contact Us!  
 Cell: 96555 09003 / 4 / 5  
 e-Mail: [smartbiosecureystems@gmail.com](mailto:smartbiosecureystems@gmail.com)  
[www.smartbiosecureystems.com](http://www.smartbiosecureystems.com)

**Authorized Channel Partner for eSSL, Biomax, ZK Teco, Real Time**

Biometrics Access Control Turnstiles Metal Detector Baggage Scanner Parking Barrier Smart Lock AM System Bulk SMS ID Card SPY CAMERA HRMS

Address: 32, Kaman St, AA-2, Ground Floor, Mogappair West, Chennai - 600037.  
 We do Sale • Support • Service and Repair for all locations in India.