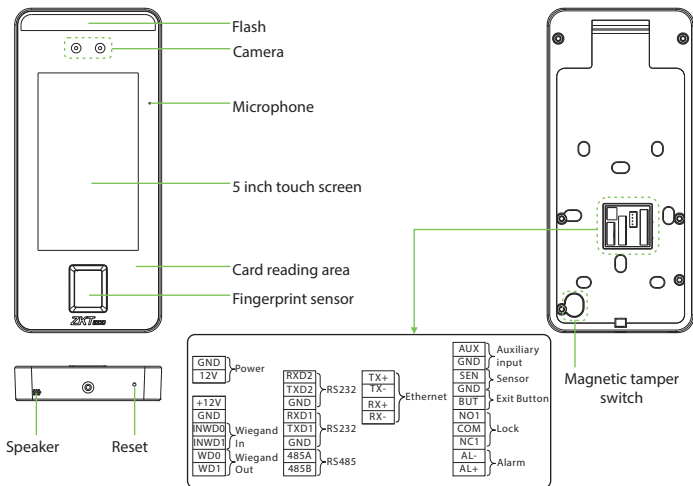




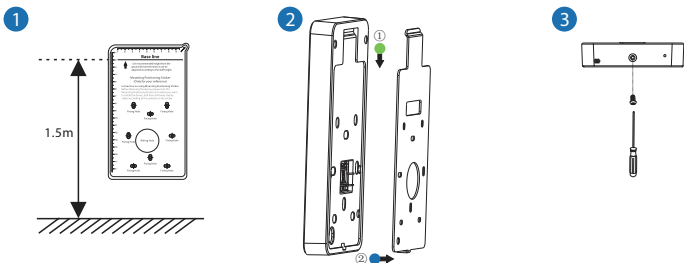
Quick Start Guide

SpeedFace series

Overview

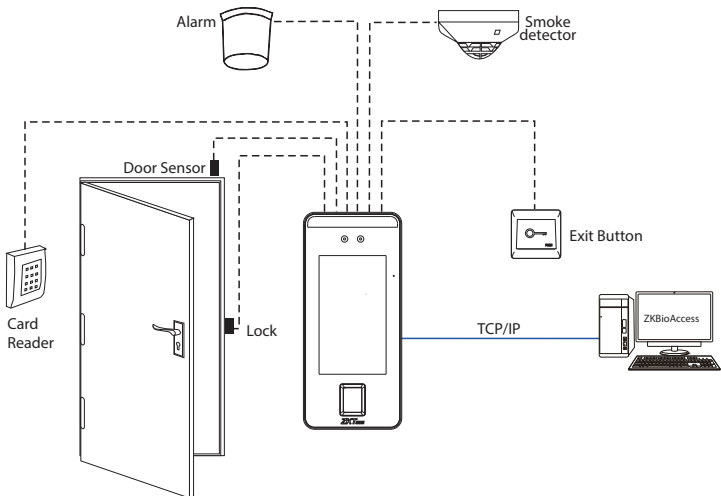


Device Installation



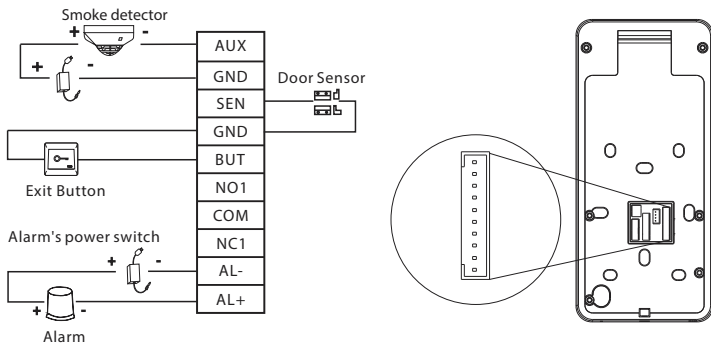
- ① Attach the mounting template sticker to the wall, and drill holes according to the mounting paper. Fix the back plate on the wall using wall mounting screws.
- ② Attach the device to the back plate.
- ③ Fasten the device to the back plate with a security screw.

Standalone Installation



Note: In this document, we only guide you to connect some common components, if you want more guidance on connection of SRB, external fingerprint reader and so on, please refer to user manual document.

Door Sensor, Exit Button & Alarm Connection

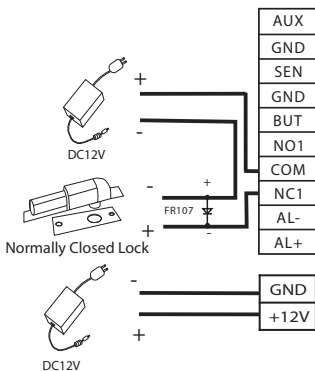


Lock Relay Connection

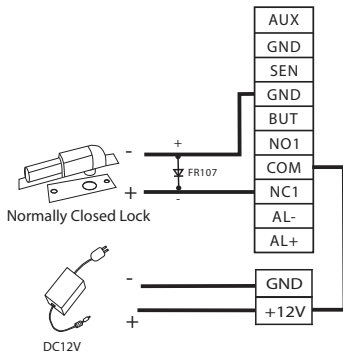
The system supports Normally Opened Lock and Normally Closed Lock.

The NO LOCK (normally opened at power on) is connected with 'NO1' and 'COM' terminals, and the NC LOCK (normally closed at power on) is connected with 'NC1' and 'COM' terminals. Take NC Lock as an example below:

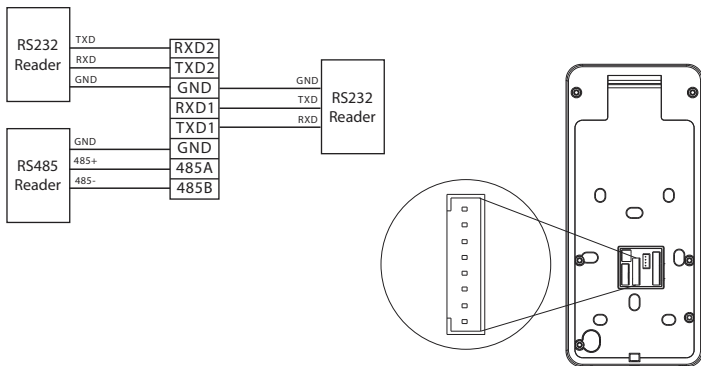
1) Device not sharing power with the lock



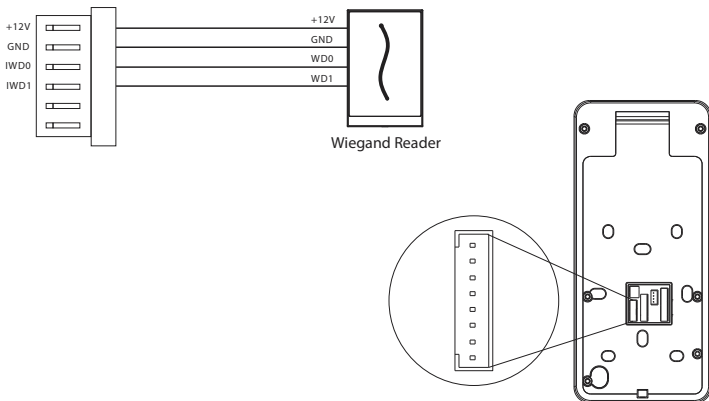
2) Device sharing power with the lock



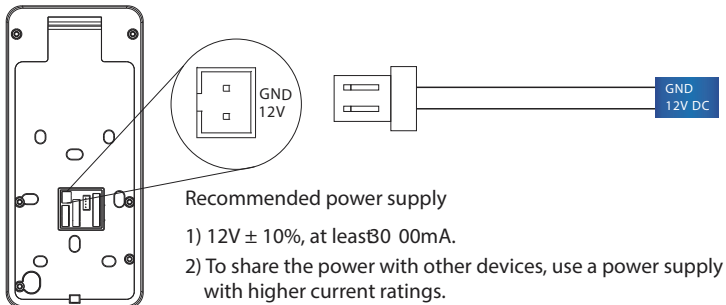
RS485 and RS232 Connection



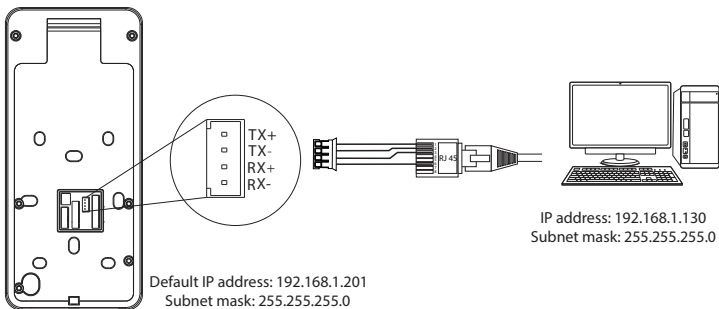
Wiegand Input Connection



Power Connection



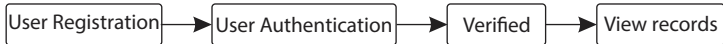
Ethernet Connection



Click [Settings] > [Network Settings] > [TCP/IP Settings] > [DHCP], input the IP address and click [OK].

Note: In LAN, IP addresses of the server (PC) and the device must be in the same network segment when connecting to ZKBioAccess software

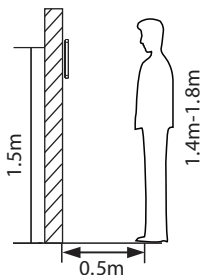
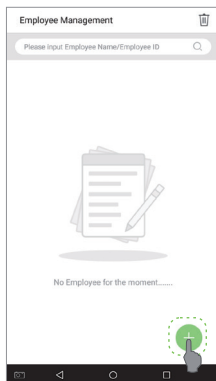
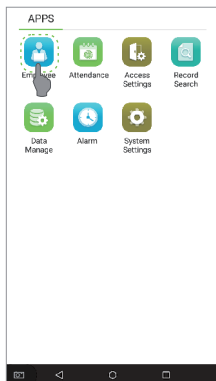
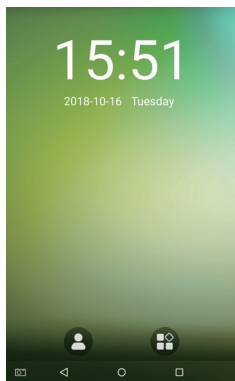
Quick Start



❖ User registration

Register on the device

Click > Employee > to register new employee. Enter employee name, ID, register fingerprint, face, badge number (ID and Mifare card are optional), and password.



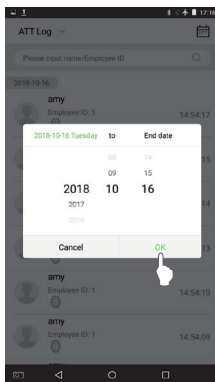
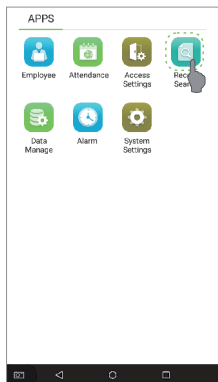
Note:

1. It's recommended to register multiple administrators.
2. It's recommended to enroll user's face in 0.5m distance for person with 1.4~1.8m height .

◆ View records

View records in the device

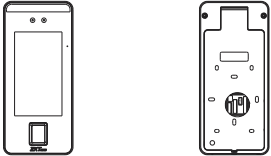
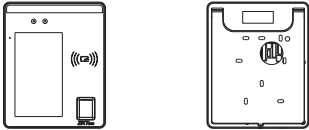
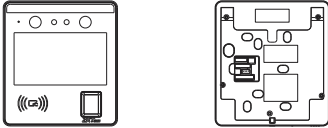
Click **Record Search** > **Att Log** enter **Name** or **Employee ID** (if user ID field is empty, records of all users will be displayed) > select **Time Range** > press **OK**, the corresponding attendance logs will be displayed.



View records on the software

Click [Access] > [Report] on the software to view the records.

Appendix

Device name	Appearance
SpeedFace V5	 The front view shows a vertical rectangular device with a large central display area, two small circular sensors at the top, and a small rectangular port at the bottom. The back view shows a similar rectangular shape with a central circular component, several small circular holes, and a larger rectangular cutout at the top.
SpeedFace H5	 The front view shows a vertical rectangular device with a large central display area, two small circular sensors at the top, a wireless signal icon on the right side, and a small rectangular port at the bottom. The back view shows a similar rectangular shape with a central circular component, several small circular holes, and a larger rectangular cutout at the top.
SpeedFace T5	 The front view shows a vertical rectangular device with a large central display area, four small circular sensors at the top, a wireless signal icon on the left side, and a small rectangular port at the bottom. The back view shows a similar rectangular shape with a central circular component, several small circular holes, and a larger rectangular cutout at the top.



#24, Shambavi Building, 23rd Main, Marenahalli, JP Nagar 2nd Phase,
Bengaluru - 560078

Phone : 91-8026090500 | Email : sales@esslsecurity.com
www.esslsecurity.com