



AiFace- Mercury with Access Control

Linux-Based

Time & Attendance with Visible Light
Facial recognition



Proactive Facial
Recognition



New Height of
Anti-Spoofing



Speedy
Recognition



Wide Pose Angle
Acceptance



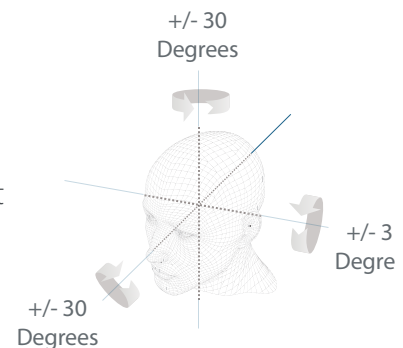
Touchless for
Better Hygiene

Features

- Visible Light Facial Recognition
- Anti-spoofing algorithm against print attack(laser, color and B/W photos), videos attack and 3D mask attack
- 2.8 inch Touch Screen
- Supplement lighting with adjustable brightness
- Exquisite and compact, easy to install.
- Support Multiple Language

Recognition distance up to 2m long and extra wide angle recognition

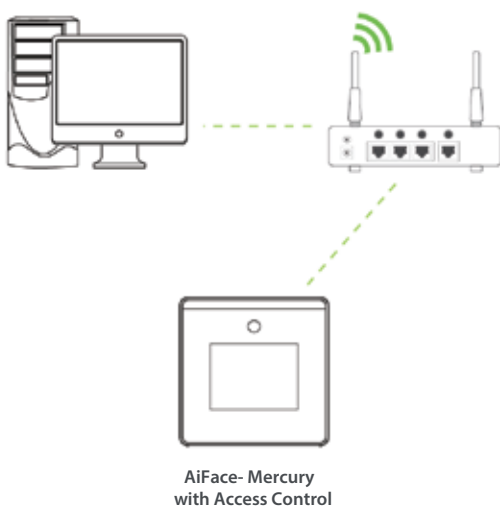
The recognition distance has been greatly extended up to 2 meters long, which significantly improves maximum traffic rate. While most of algorithms only support 15-degree angle, AiFace- Mercury doubles the detection angle in terms of head rotation & tilt to $\pm 30^\circ$



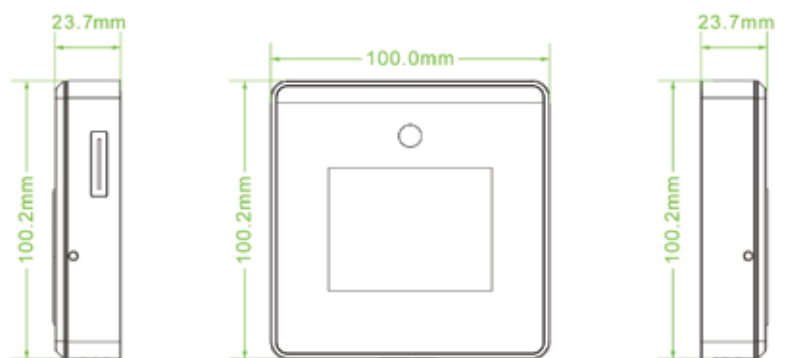
Specifications:

| | |
|--------------------------|--|
| Display | 2.8-inch Touch Screen |
| Face Capacity | 800 |
| User Capacity | 800 |
| Transactions | 150,000 |
| Operation System | Linux |
| Access Control Interface | Electro Magnetic Lock/ Electric Lock, Door Sensor, Exit Button, No Touch Sensor. |
| Hardware | 900MHZ Dual Core CPU Memory 512MB RAM / 512 MB ROM 2MP WDR Low Light Camera Adjustable Light Brightness LED |
| Communication | TCP/IP, Wifi |
| Face Recongntion Speed | ≤1s |
| Biometrics Algorithms | Face VX5.8 |
| Power Supply | 5V/2A |
| Working Humidity | 10%-90% |
| Working Temperature | -10 °C- 45 °C |
| Dimensios (W*H*D) | 100*100.2*23.7mm |
| Supported Software | eTimeTracklite |

Configuration:



Dimensions(mm)



Disclaimer: Brief specifications are mentioned here. Specifications may change without prior notice. Customers are advised to check with us before purchase. Actual product may differ slightly to that depicted for ongoing product development

Visit Us at: www.essisecurity.com